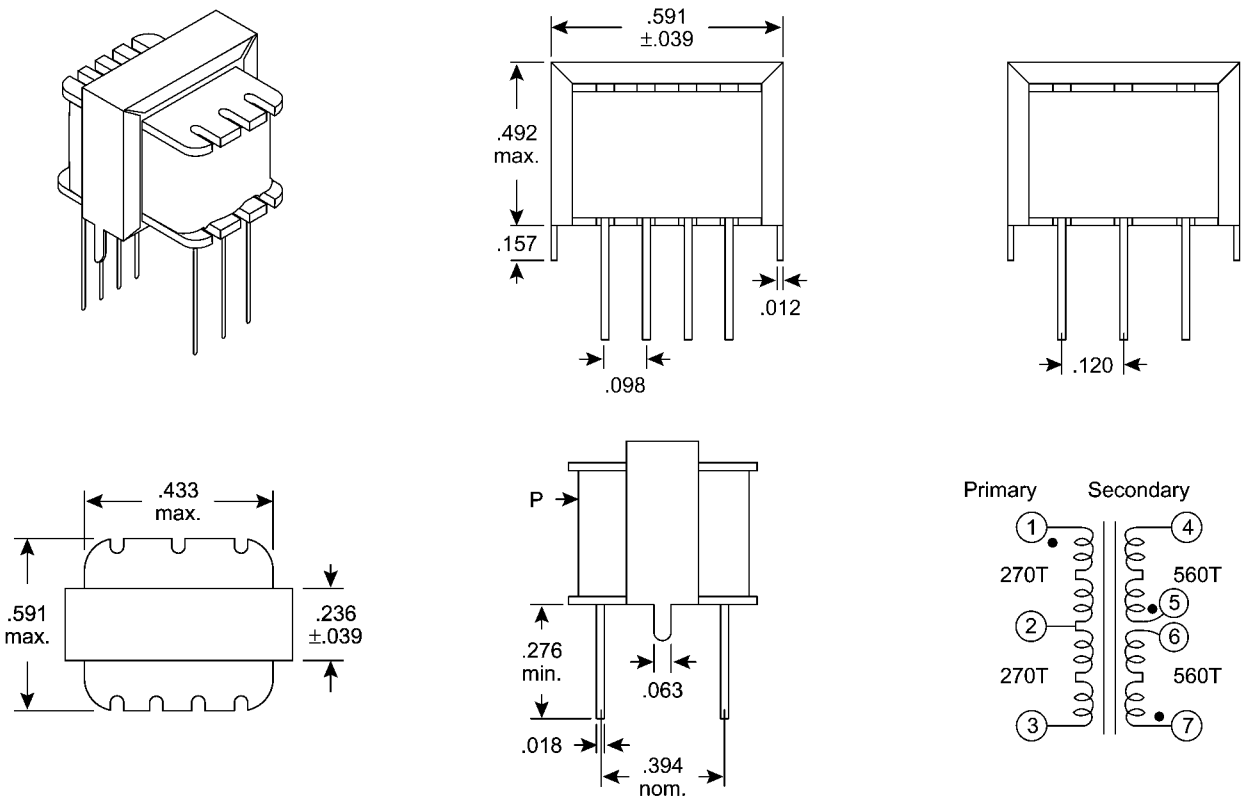


Audio Transformer

600CT/600,600 Coupling Dual Secondary

Part No. 16A600-600-2

Back to [Audio Transformers](#) Main Page



Dimensions (In.)

Specifications:

- Core type/size: EI-14
- Impedance: primary 600Ω CT
sec #1 (4-5) 600Ω
sec #2 (6-7) 600Ω
- Impedance variation: $\pm 10\%$ @ 1 KHz, 1V
- DC resistance: primary $72\Omega \pm 15\%$
sec #1 $56\Omega \pm 15\%$
sec #2 $56\Omega \pm 15\%$
- Insulation: $>10M\Omega$ @ 100VDC
- Breakdown: 100VAC hipot for 1 minute
- Waxing: vacuum treatment
- Max output: 75mW
- Frequency response: $\pm .5\text{dB}$ @ 1KHz, odB 300Hz~400Hz
- Can be water washed with water temperature less than 70°C